

ROTAX 377 UL - 35 HP

(Please Note: The ROTAX 377 Engine is No Longer in Production)

35 hp @ 6500

2 Cylinder / 2 Stroke Piston Ported

35 hp @ 6500

2 Cylinder / 2 Stroke Piston Ported

Bore/Stroke: 62/61mm

Displacement: 368.3

Ignition System: Bosch Flywheel Magneto
Generator 12V 110 W + 30W

Carburetor: 36mm Bing Double Float Carburetor
with hand lever or alternatively cable choke

Starter: Rewind or Electric

Cooling: Free Air or Fan Cooled

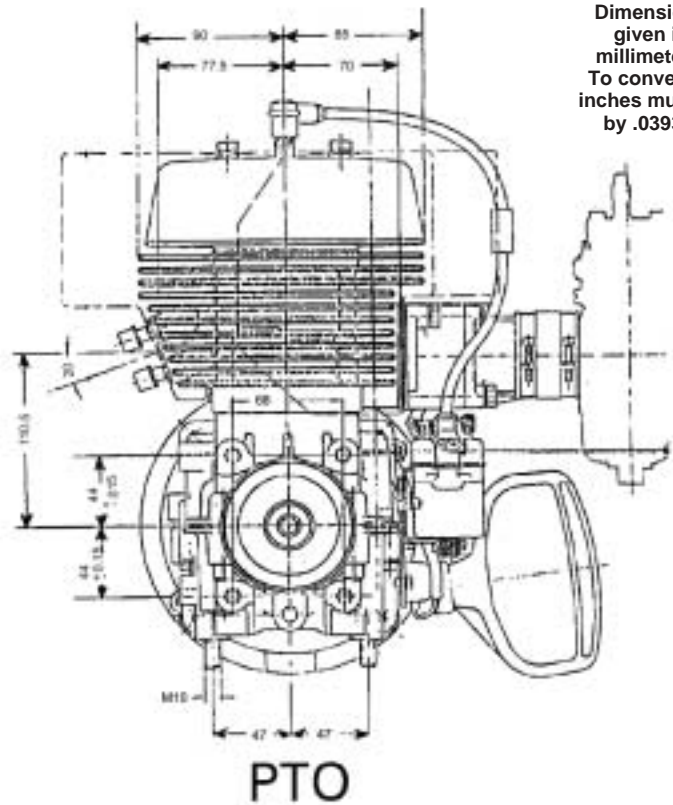
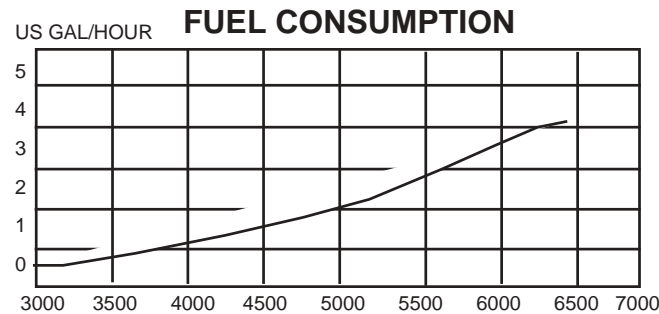
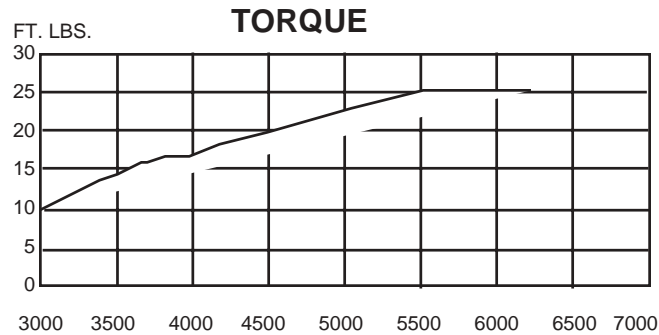
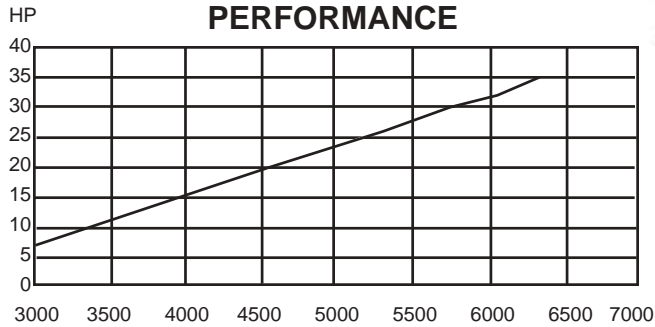
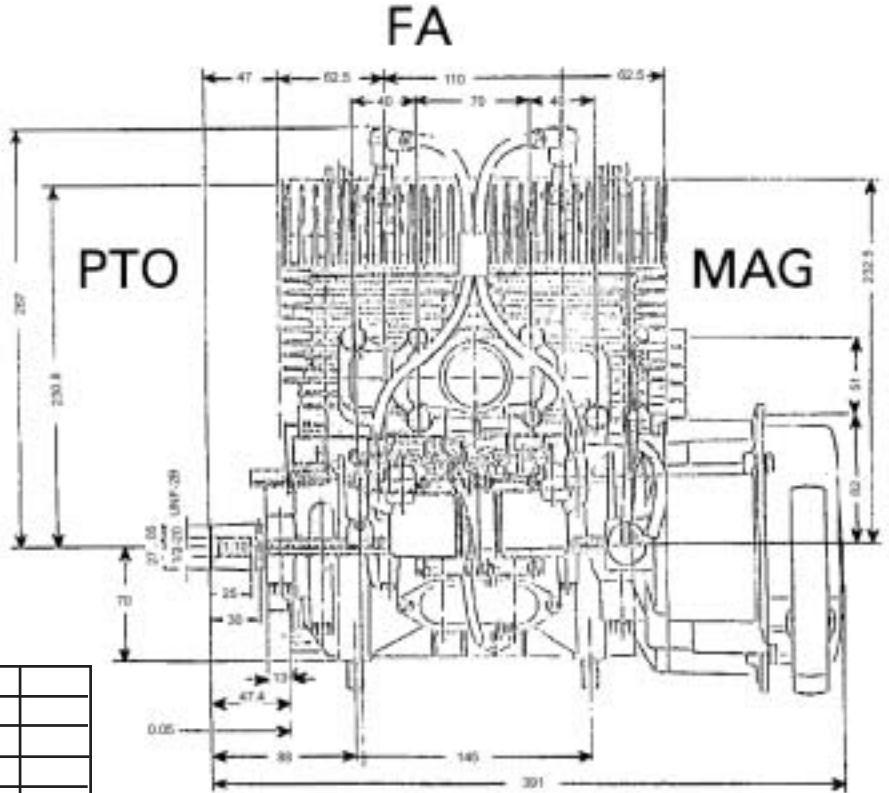
Lubrication: 2 stroke oil in fuel;
mixing ratio: 50:1

Fuel: Premium unleaded NOT BELOW MON 88
OR RON 90 (octane rating)

Description

Weight

Block F.C.	60.6 lbs.
Carburetor	2.5 lbs.
Exhaust	11.0 lbs.
Redrive	10.5 lbs.
Total	84.6 lbs.



Dimensions given in millimeters. To convert to inches multiply by .03937.

AUTHORIZED KODIAK SERVICE CENTER FOR



LEADING EDGE AIR FOILS, LLC 1-800-532-3462 info@leadingedgeairfoils.com
www.leadingedgeairfoils.com store.leadingedgeairfoils.com